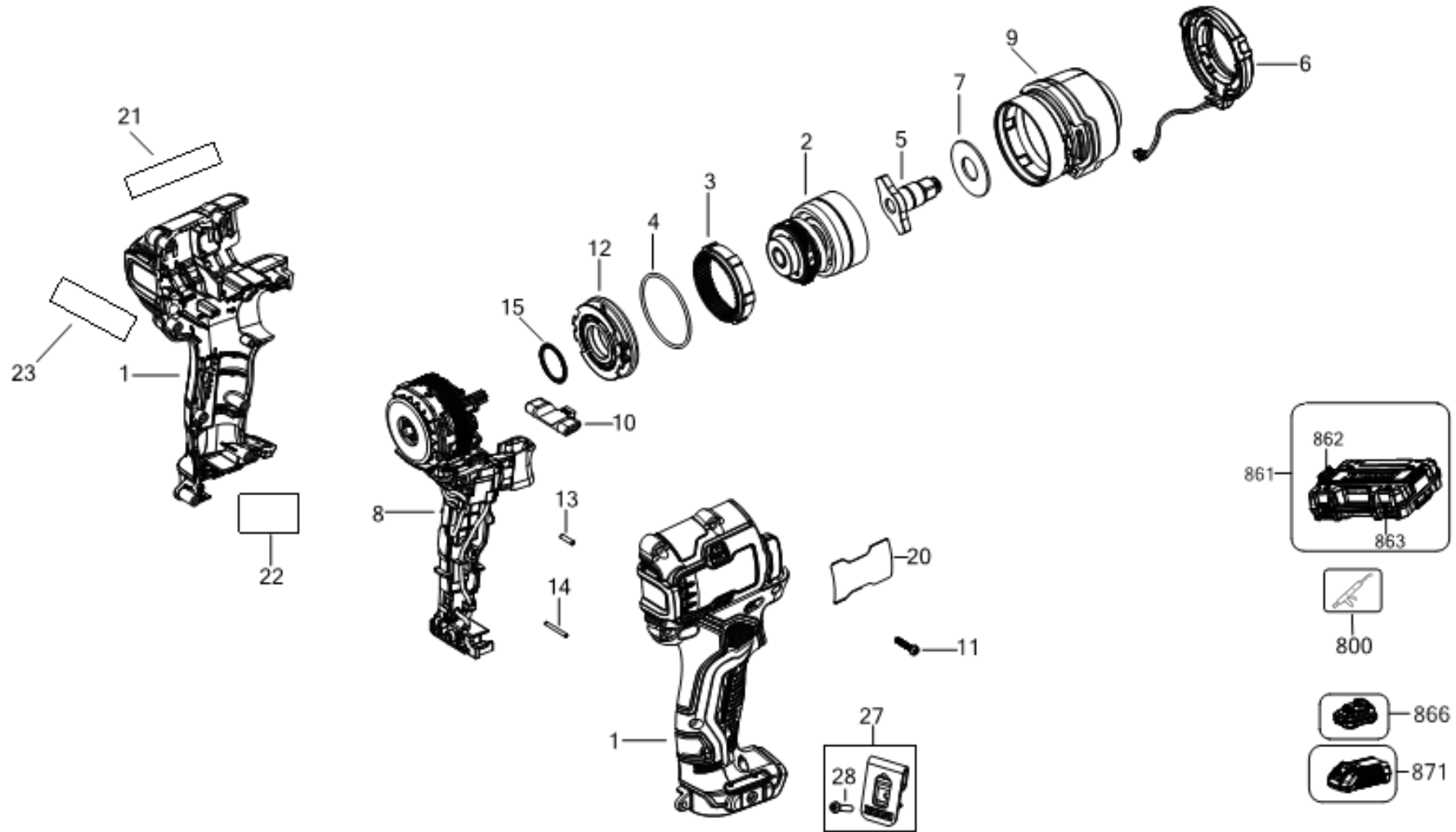


DeWALT

DCF903

TYP.
1



©

Parts List DCF903P2 IMPACT WRENCH 1

Item	Part Number	Qty	Part Description	General Description	Other Info	Repair Inst	Markets
1	N815433	1	CLAMSHELL SET			No	QW
2	N924023	1	IMPACTOR			No	QW
3	N112877	1	GEAR			No	QW
4	N075339	1	O RING			No	QW
5	NA024282	1	ANVIL ASSEMBLY			No	QW
6	N805605	1	LED LIGHT			No	QW
7	N808914	1	WASHER THRUST			No	QW
8	N923929	1	MOTOR & SWITCH SA			No	QW
9	N829348	1	NOSE SA			No	QW
10	N815461	1	ACTUATOR FWD/REV			No	QW
11	682211-00	8	SCREW			No	QW
12	N546585	1	ADAPTOR			No	QW
13	N071836	1	ROLL PIN			No	QW
14	N660916	1	PIN			No	QW
15	N595430	1	O RING			No	QW
20	N890283	1	RATING PLATE			No	QW
21	N890327	1	BRAND LABEL			No	QW
22	N890338	1	LABEL			No	QW
23	N924189	1	LABEL			No	QW
27	N702958	1	HOOK SA			No	QW
28	N042665	1	SCREW			No	QW
800	286436-00	1	GREASE	NYE RHEOLUBE 380, 50		No	QW
861	N871595	1	KITBOX			No	QW
862	N409477	1	LATCH			No	QW
866	NA069277	2	BATTERY 12V - 5.0AH - 60WH	DCB126-XJ	DCB126-XJ	No	QW
871	N450537	1	CHARGER 10.8V - 18V			No	QW
871	NA132878	1	CHARGER	DCB1104-QW		No	QW